



Light is life

OSRAM PLANTASTAR®

SEE THE WORLD IN A NEW LIGHT

OSRAM



Especially for greenhouses: PLANTASTAR®

The OSRAM PLANTASTAR® has been developed to meet the requirements greenery's make to these sources of light.

Illuminating vegetation cannot be compared to the lighting of, for example, a highway. With the introduction of the high pressure sodium light PLANTASTAR®, OSRAM has a light source that meets all requirements for a good assimilation lighting.

PLANTASTAR® characteristics:

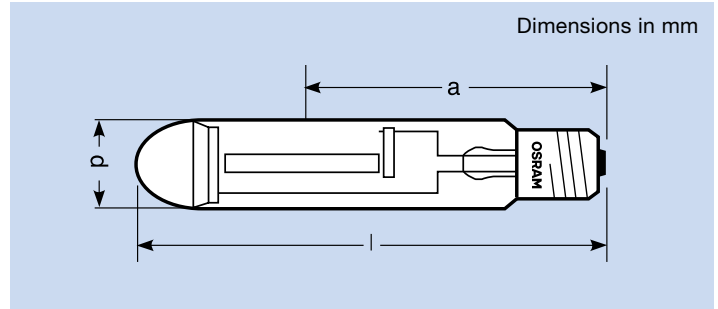
- Low cost of maintenance by low failure of the lamp
- Extremely constant luminous flux during the first 10.000 burning-hours. After this time or every two years it is advisable to exchange the lamps.
- Solid, high impact construction, leading to few breakage
- No moving start-antenna, so no chance of dispatching parts

Product features

- Constant high quality because of optimized production method
- Optimised frame construction with patented shock absorber
- New, far-going ceramics, resistant to sodium guarantee long lifetime
- Laser welding guarantees geometrical precise connections
- Extremely high luminous efficacy up to 145 lm/W



Technical data



| PLANTASTAR® | 400 W | 600 W |
|--------------------------------------|---------------------|---------------------------|
| System wattage W | 450 | 645 |
| Lamp wattage W | 400 | 600 |
| Supply voltage V | 230 | 230 |
| Lamp voltage V | 100 | 110 |
| Starting voltage kV | 4/5 | 4/5 |
| Mains current compensated A | 2,5 | 3,3 |
| Lamp current A | 4,5 | 6,06 |
| Comp. capacitor at 50 Hz µF | 45 | 65 |
| Colour temperature K | 2000 | 2000 |
| Luminous flux klm | 55 | 87 |
| Lamp luminous efficacy lm/W | 138 | 145 |
| Average luminance cd/cm ² | 750 | 770 |
| Max. perm. outer bulb temp. °C | 400 | 450 (under consideration) |
| Max. perm. base edge temp. °C | 250 | 250 |
| Operating position | universal | universal |
| 5 % failure rate | under consideration | |

| | | |
|------------------|---------|---------|
| Diameter d | 46 | 46 |
| Length l | 285 | 285 |
| Light center a | 175 | 175 |
| Base | E 40 | E 40 |
| EAN-Code 4050300 | 620084 | 620107 |
| Standard pack | 12 pcs. | 12 pcs. |

Plant-specific parameters of the 400 and 600 W lamps

| | |
|--|------|
| Photosynthese* ¹⁾ W/m ² | 1,58 |
| PAR-Wert* ²⁾ W/m ² | 2,4 |
| µ-Einstein 400-700 nm at 1k Lux* ³⁾ | 12 |
| µ-Einstein 350-500 nm at 1k Lux* ³⁾ | 0,8 |
| µ-Einstein 600-700 nm at 1k Lux* ³⁾ | 5,6 |
| SPF* ⁴⁾ | 0,5 |

* All figures are based on a illuminance of 1000 Lux

- 1) Energy transfer of radiation to the plant
- 2) Photosynthetic active radiation
- 3) Photon number of radiation
- 4) Relation of Photosynthetic effect of facility and sun



member of
voltimum
.com

SEE THE WORLD IN A NEW LIGHT

